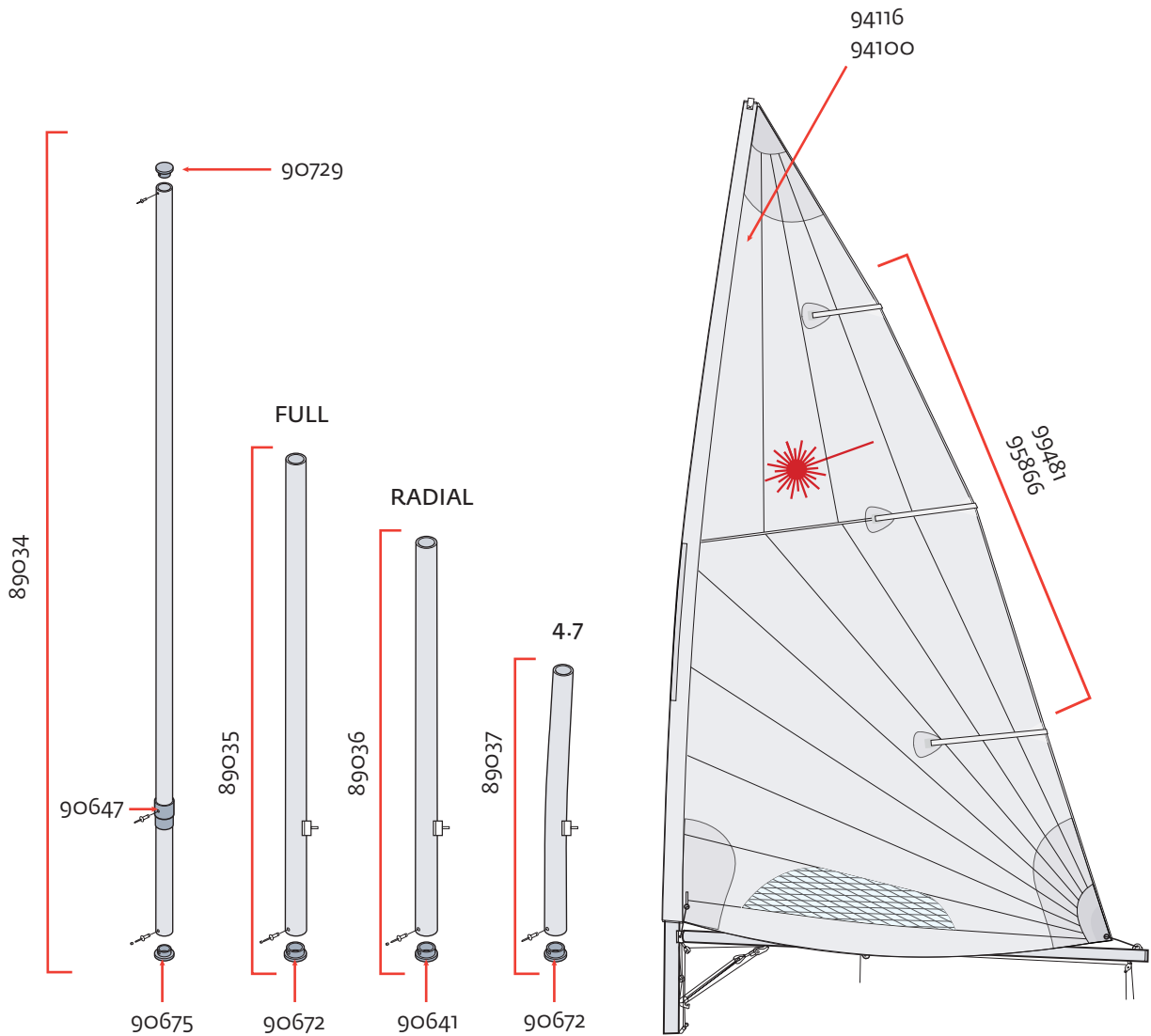




Laser PARTS LOCATOR

Laser Sails



LASER PARTS LOCATOR

PART NUMBER PART NAME

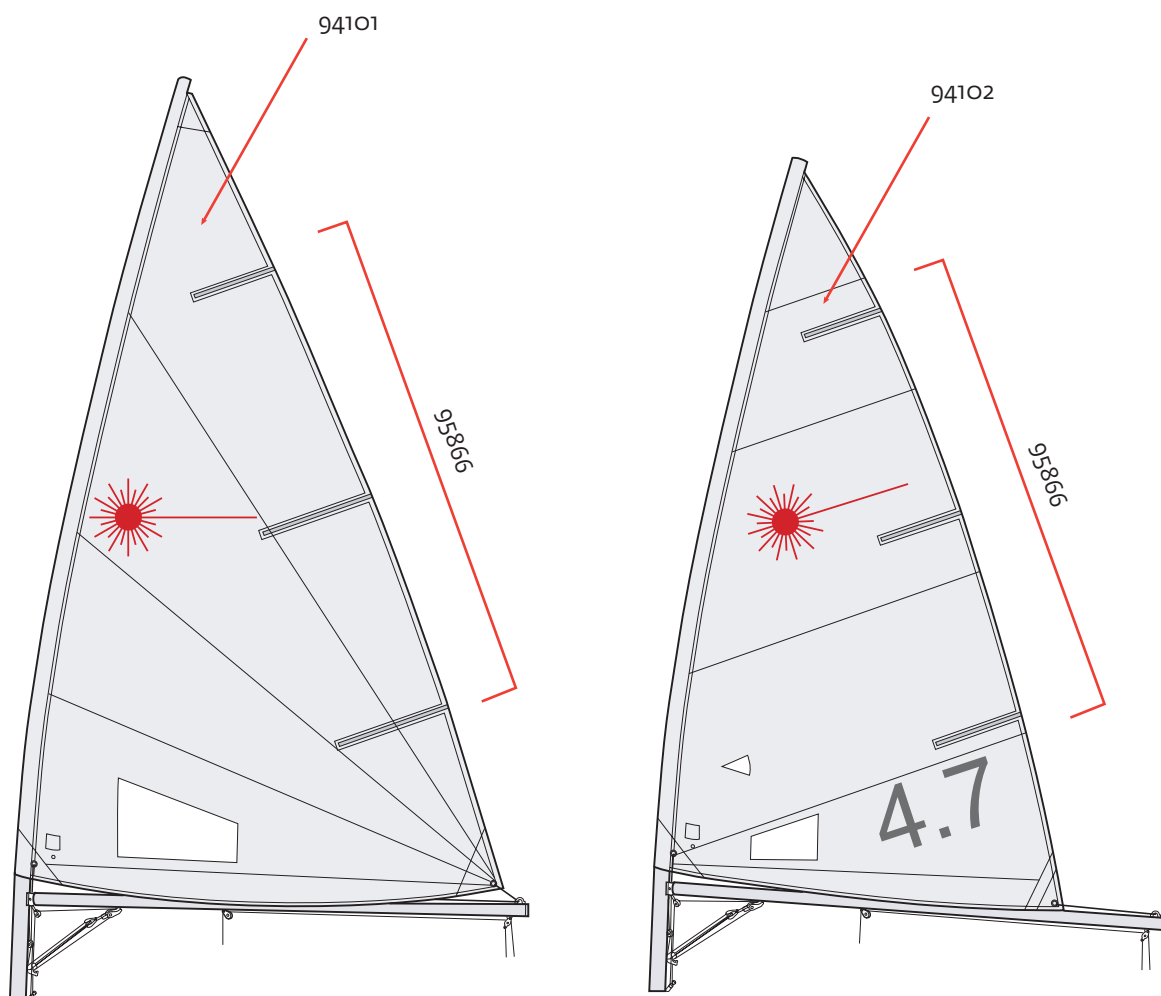
| | |
|--------------|------------------------|
| 94100 | STANDARD, MK I |
| 94116 | STANDARD, MK II |
| 95866 | BATTEN, MK I |
| 99481 | BATTEN, MK II |

SAIL NUMBERS

SAIL BAGS

| PART NUMBER | PART NAME | PART NUMBER | PART NAME |
|--------------|--------------------|--------------|-------------------------------|
| 95843 | 9IN, BLUE | 95801 | 4.7 SAILBAG, WHITE |
| 95844 | 9IN, RED | 95802 | RADAIL SAILBAG, RED |
| 95845 | 12IN, BLUE | 95803 | STANDARD SAILBAG, BLUE |
| 95846 | 12IN, RED | | |
| 95853 | 12IN, BLACK | 95869 | BATTEN TIPS |

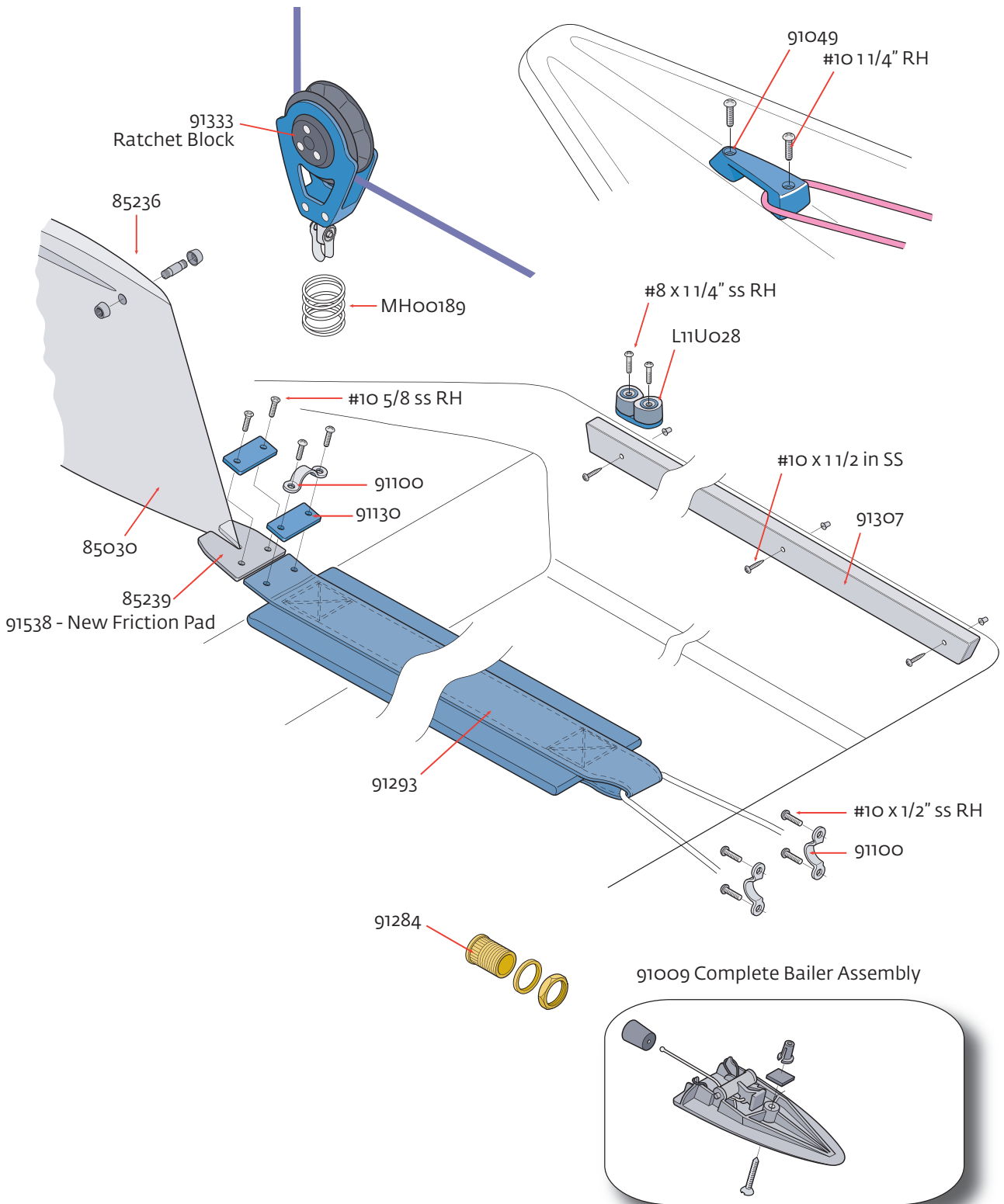
Laser Sails



LASER PARTS LOCATOR

| PART NUMBER | PART NAME |
|-------------|-----------|
| 94101 | RADIAL |
| 94102 | 4.7 |

Laser Deck



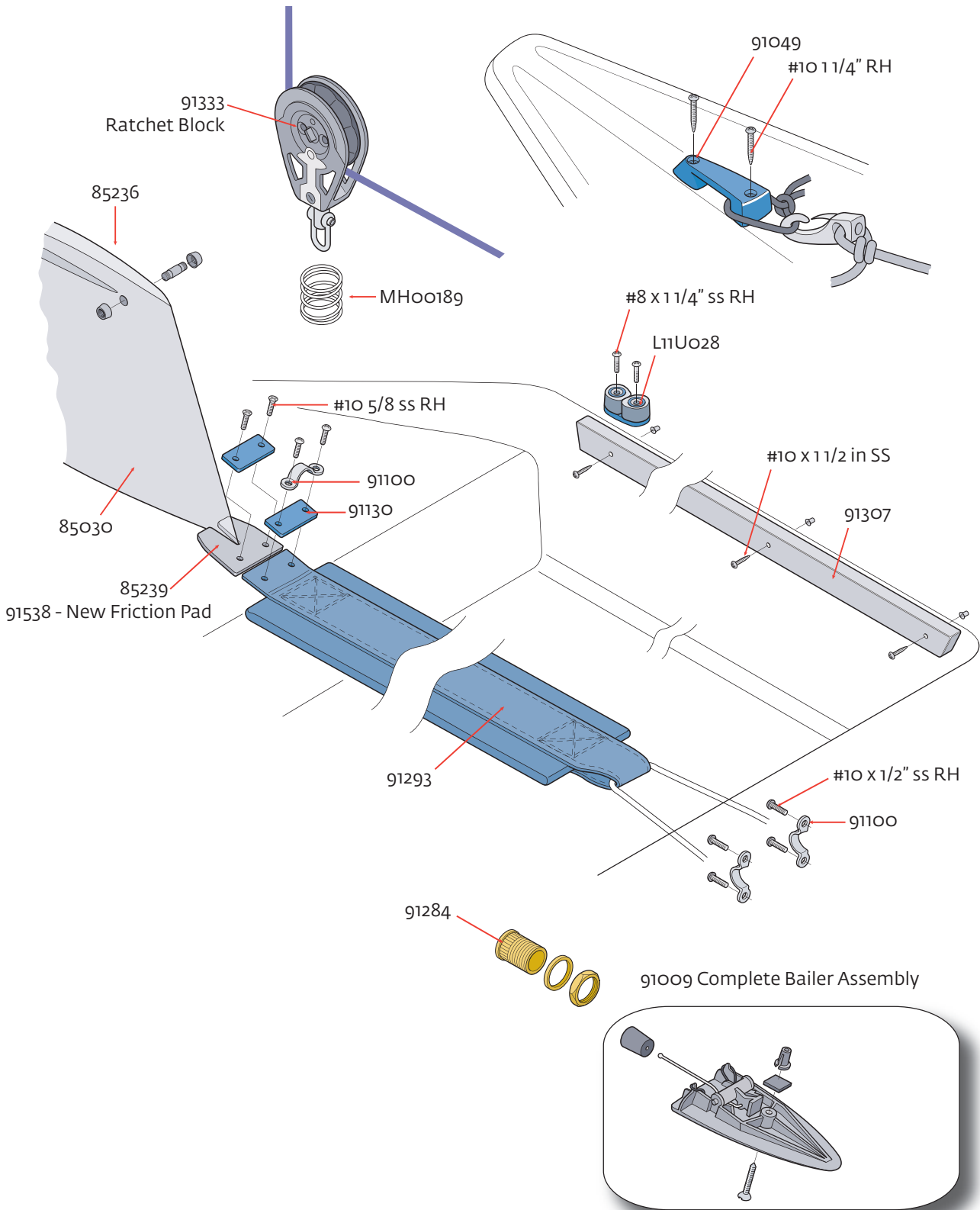
LASER PARTS LOCATOR

LASER HIKING STRAPS

PART NUMBER PART NAME

91293 XD STYLE

Laser Race Deck



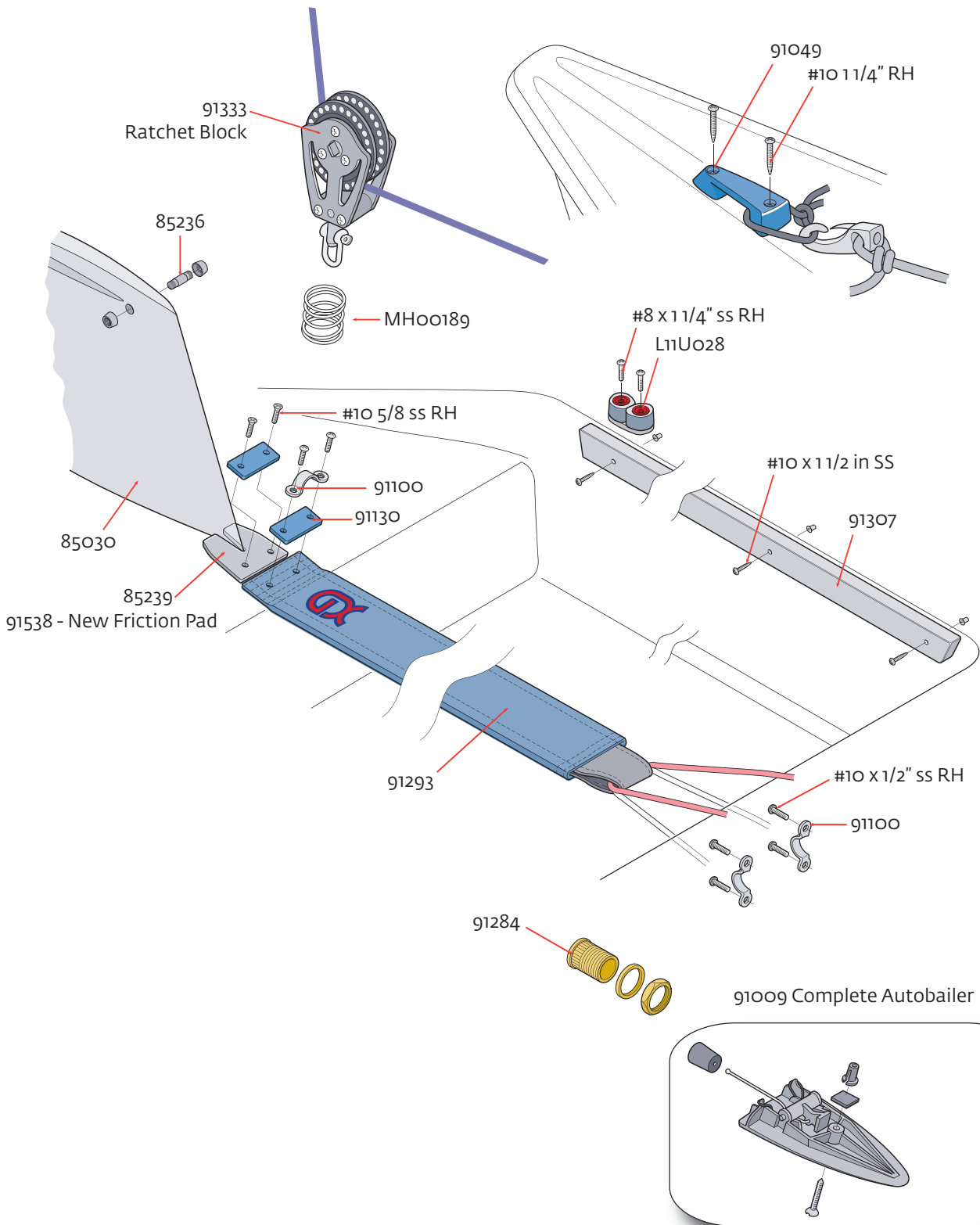
LASER PARTS LOCATOR

LASER HIKING STRAPS

PART NUMBER PART NAME

91293 XD STYLE

Laser XD Deck



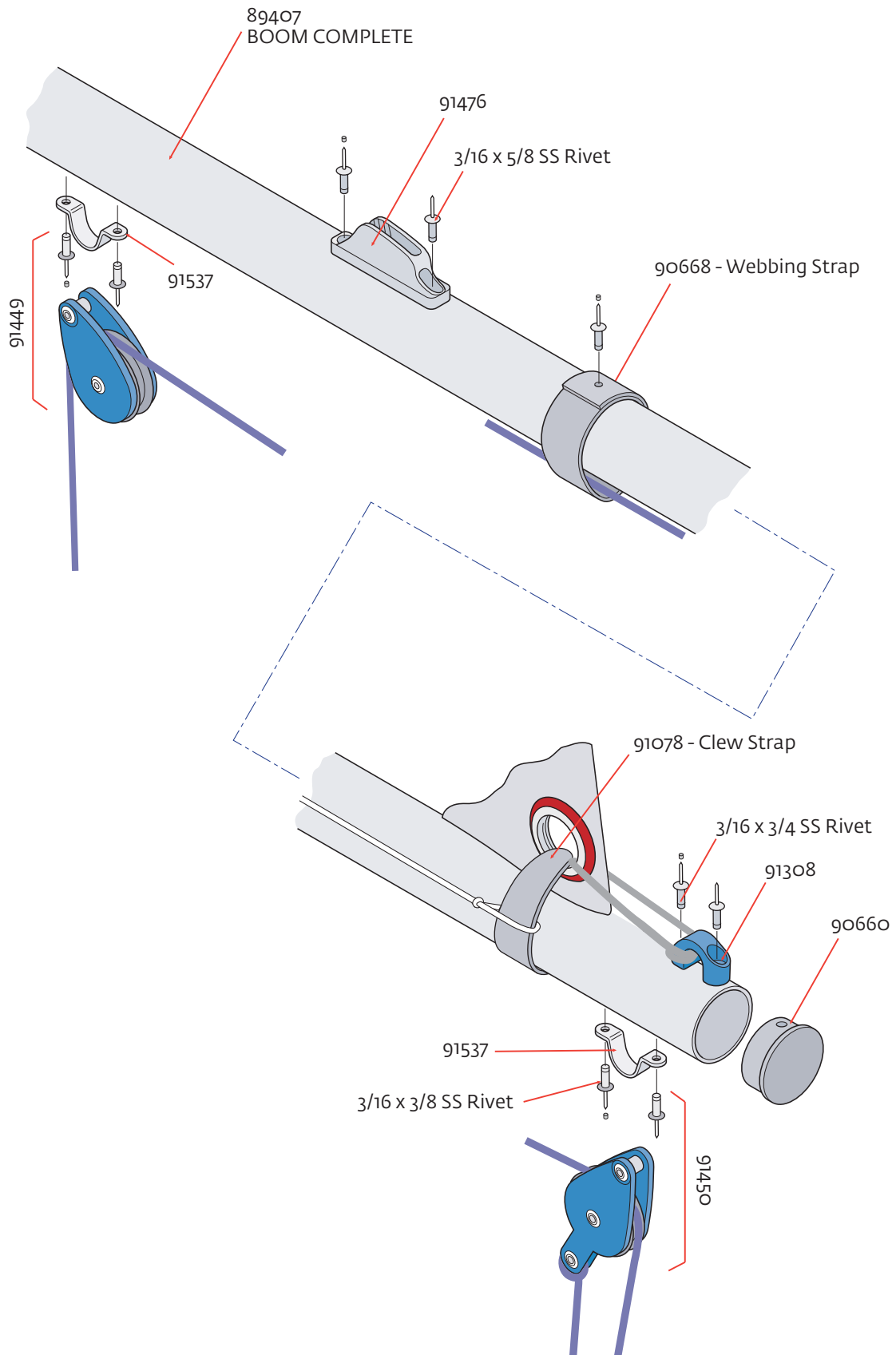
LASER PARTS LOCATOR

LASER HIKING STRAPS

PART NUMBER PART NAME

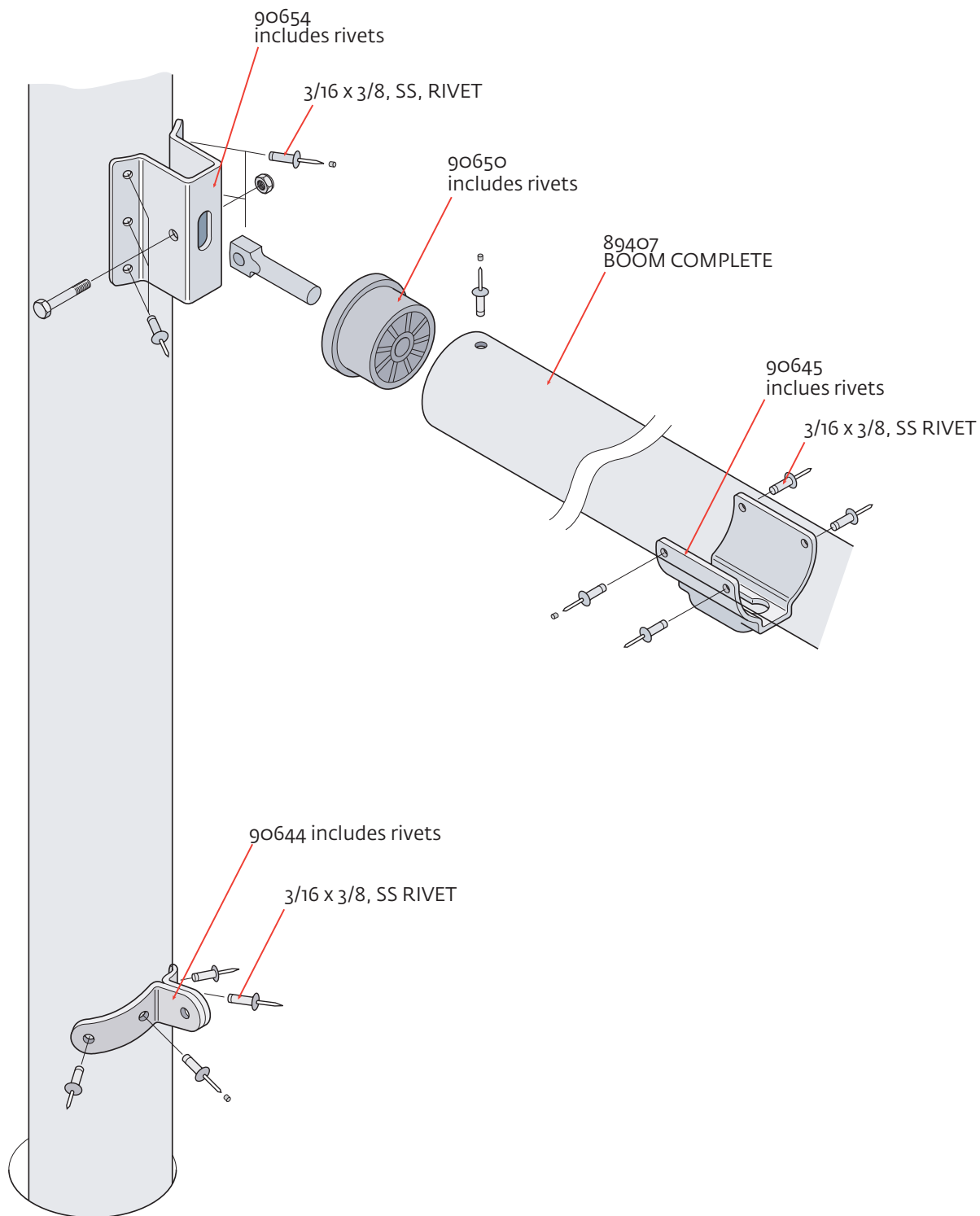
91293 XD STYLE

Laser Outhaul



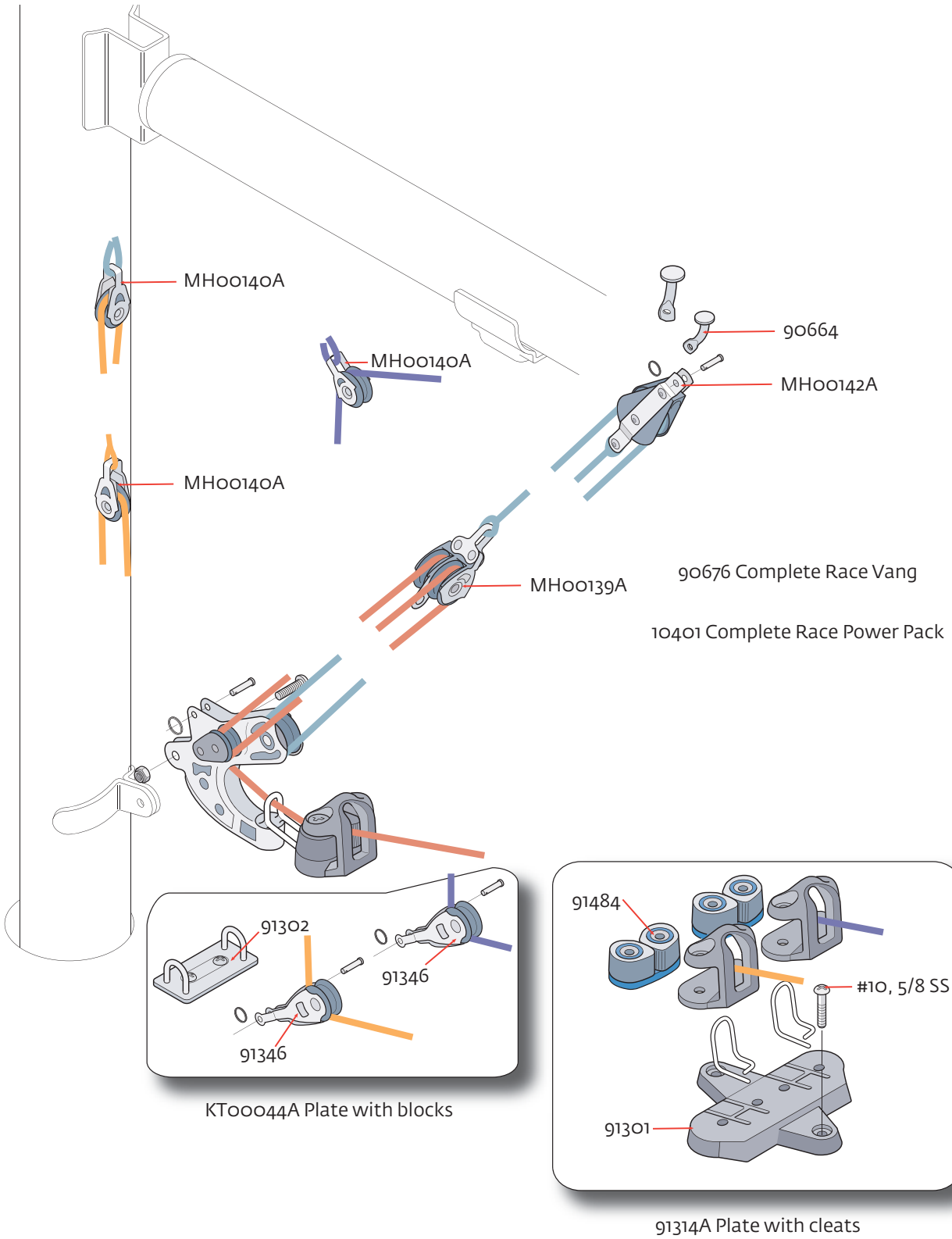
LASER PARTS LOCATOR

Laser Gooseneck



LASER PARTS LOCATOR

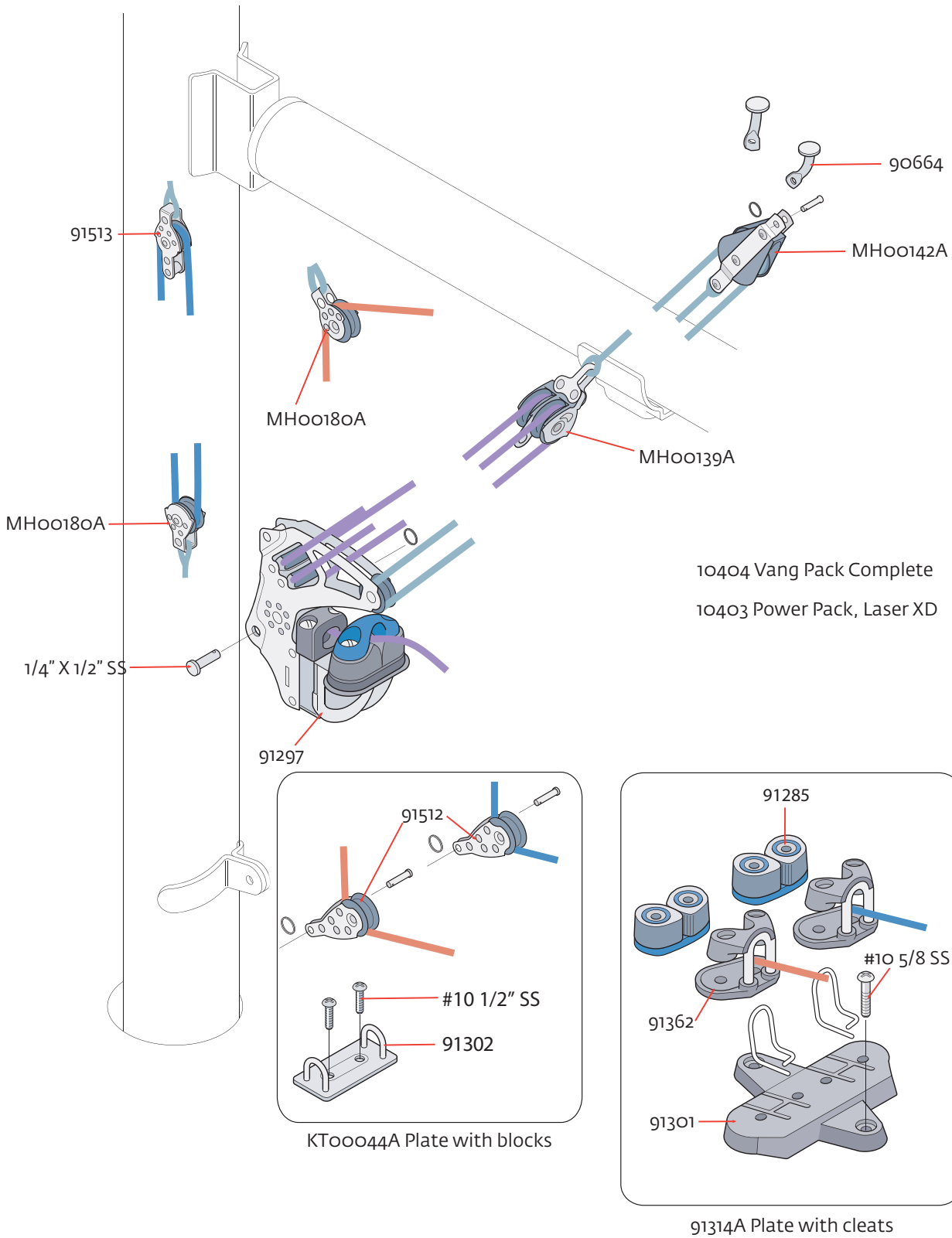
Laser Race Vang



LASER PARTS LOCATOR

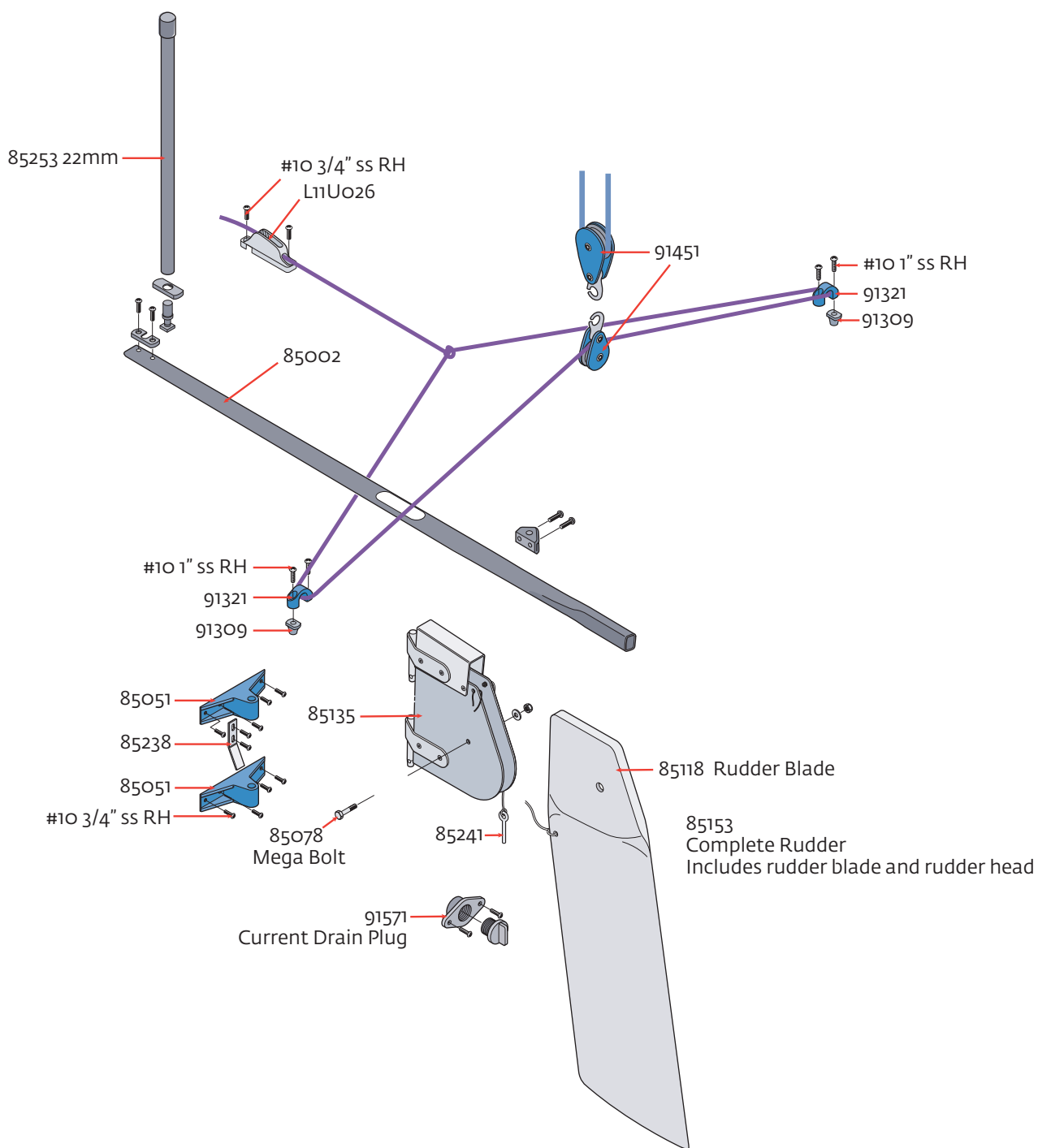


Laser XD Vang



LASER PARTS LOCATOR

Laser XD Rudder



LASER PARTS LOCATOR

LASER DRAIN PLUGS - WITH APPROXIMATE YEAR OF USE

| PART NUMBER | PART NAME |
|-------------|-----------------------------------|
| 91093 | WHITE BAYONETTE (2), USED '70-'88 |
| 91086 | RWO, BLACK (1), USED '89-'97 |
| 91090 | HOLT, GREY (1), USED '98-'01 |
| 91085 | BECKSON, BLACK (1), USED '02-'07 |
| 91571 | HOLT BLACK USED '08-CURRENT |

